

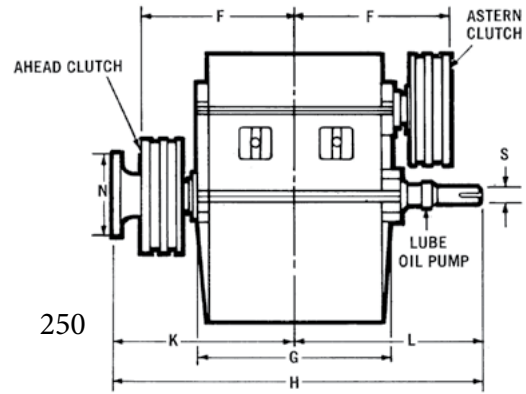
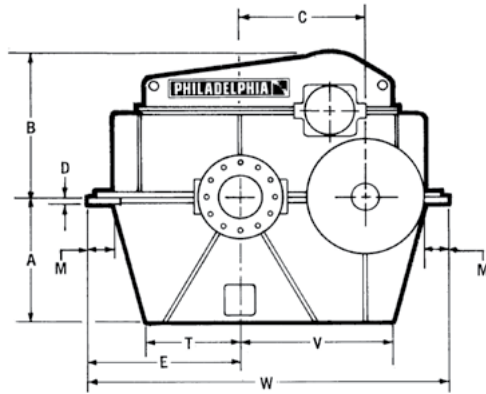
VRMG SHOWN

# HRMG | HORIZONTAL REVERSE MARINE GEAR

# VRMG | VERTICAL REVERSE MARINE GEAR

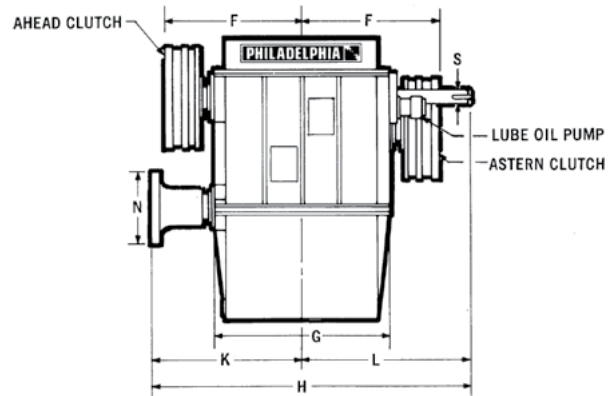
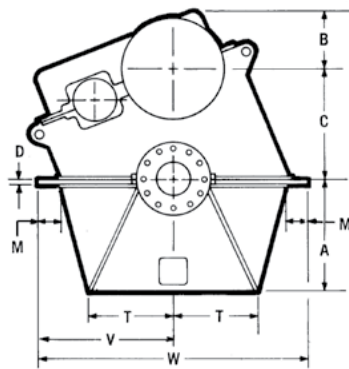
WITH AHEAD AND ASTERN CLUTCHES

## HRMG



SIZE	A	B	C	D	E	F	G	H	K	L	M	N	S	T	V	W	WT.—LBS.
16	17.0	22.0	16.5	1.3	22.0	*	40.0	*	*	*	5.0	16.0	3.8	12.0	23.0	54.5	7,500
18	18.0	24.0	18.0	1.5	24.0	*	44.0	*	*	*	5.5	17.0	4.0	13.0	24.0	59.0	9,000
20	21.0	27.0	20.5	1.8	27.0	*	46.0	*	*	*	6.0	18.0	4.5	15.0	27.0	66.0	13,000
23	24.0	32.0	23.0	1.8	30.0	*	48.0	*	*	*	6.5	20.0	4.6	17.0	31.0	74.0	16,500
26	26.0	34.0	26.0	2.0	33.5	*	50.0	*	*	*	7.0	23.0	5.0	19.0	34.0	82.0	20,000
30	29.0	40.0	30.0	2.0	37.0	*	54.0	*	*	*	8.0	25.0	5.3	20.0	38.0	92.0	26,000
34	33.0	40.0	34.0	2.5	43.0	*	58.0	*	*	*	8.5	27.0	5.5	24.0	44.0	106.0	31,000
36	35.0	46.0	36.0	2.5	46.0	*	58.0	*	*	*	9.0	28.0	6.5	27.0	57.0	113.0	35,000
42	40.0	49.0	42.0	2.5	52.0	*	63.0	*	*	*	9.0	29.0	7.3	31.0	64.0	125.0	43,000
48	47.0	50.0	48.0	2.5	58.0	*	75.0	*	*	*	9.0	32.0	7.5	36.0	71.0	138.0	57,000

## VRMG



SIZE	A	B	C	D	F	G	H	K	L	M	N	S	T	V	W	WT.—LBS.
16	17.0	9.0	16.5	1.3	*	40.0	*	*	*	5.0	16.0	3.8	10.0	25.0	49.0	7,500
18	18.0	10.0	18.0	1.5	*	44.0	*	*	*	5.5	17.0	4.0	12.0	27.0	53.0	9,000
20	21.0	11.0	20.5	1.8	*	46.0	*	*	*	6.0	18.0	4.5	14.0	31.0	60.0	13,000
23	24.0	12.0	23.0	2.0	*	48.0	*	*	*	7.5	20.0	4.6	18.0	36.0	68.0	16,500
26	26.0	14.0	26.0	2.0	*	50.0	*	*	*	8.0	23.0	5.0	22.0	38.5	74.0	20,000
30	29.0	15.0	30.0	2.0	*	54.0	*	*	*	8.0	25.0	5.3	24.0	45.0	84.0	26,000
34	33.0	16.0	34.0	2.5	*	58.0	*	*	*	9.0	27.0	5.5	26.0	46.0	90.0	31,000
36	35.0	20.0	36.0	2.5	*	58.0	*	*	*	10.0	28.0	6.5	28.0	46.0	92.0	35,000
42	40.5	21.0	42.0	2.5	*	63.0	*	*	*	10.0	29.0	7.3	32.0	50.0	100.0	43,000
48	48.0	22.0	48.0	2.5	*	75.0	*	*	*	10.0	32.0	7.5	36.0	59.0	118.0	57,000

\*Varies with clutch.

FOR INSTALLATION PURPOSES USE CERTIFIED DIMENSIONS ONLY. ALL DIMENSIONS SHOWN ARE IN INCHES.