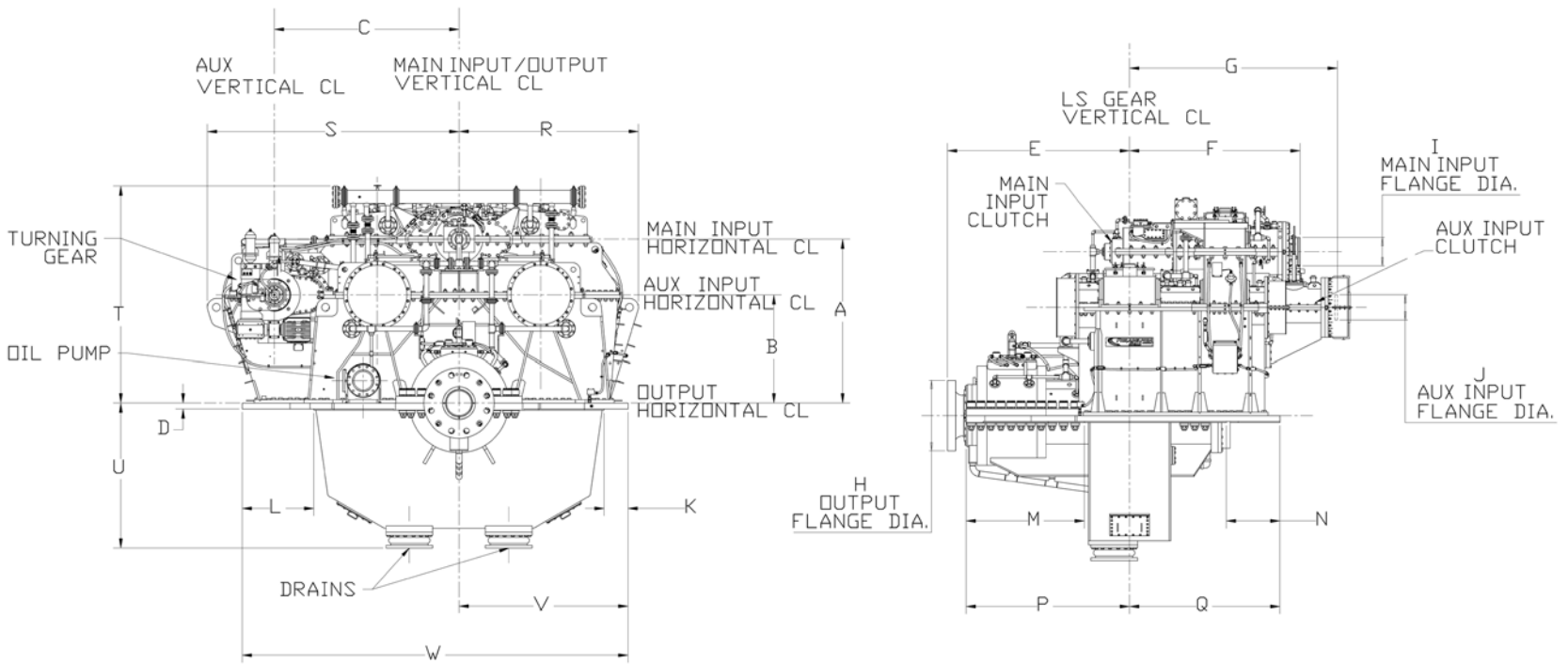


VRM GH-CP SHOWN

# VRM GH-CP

## DUAL-INPUT VERTICAL CLUTCH MARINE GEAR

### COMPOUND GEARING



SIZE	A	B	C	D	E	F	G	H	I	J	K	L	M
60	60.1	39.7	68.0	2.2	67.0	62.8	76.5	26.0	10.5	9.4	8.8	26.3	43.5
65	65.2	43.0	73.6	2.4	72.6	68.0	82.8	28.1	11.3	10.1	9.5	28.5	47.2
70	70.2	46.3	79.3	2.6	78.2	73.2	89.2	30.3	12.2	10.9	10.2	30.7	50.8
75	75.2	49.6	85.0	2.7	83.8	78.5	95.6	32.5	13.1	11.7	11.0	32.9	54.4
82	82.2	54.2	92.9	3.0	91.6	85.8	104.5	35.5	14.3	12.8	12.0	36.0	59.5
88	88.2	58.2	99.7	3.2	98.3	92.1	112.1	38.1	15.3	13.7	12.9	38.6	63.9
96	96.2	63.5	108.8	3.5	107.2	100.4	122.3	41.6	16.7	15.0	14.0	42.1	69.7
104	104.3	68.7	117.8	3.8	116.2	108.8	132.5	45.0	18.1	16.2	15.2	45.7	75.5

SIZE	N	P	Q	R	S	T	U	V	W
60	19.8	60.2	55.3	66.0	92.6	79.8	53.4	62.2	142.0
65	21.4	65.2	59.9	71.5	100.3	86.4	57.9	67.4	153.8
70	23.0	70.3	64.5	77.0	108.0	93.0	62.3	72.6	165.6
75	24.7	75.3	69.1	82.5	115.7	99.7	66.8	77.7	177.4
82	27.0	82.3	75.6	90.2	126.5	109.0	73.0	85.0	194.0
88	29.0	88.3	81.1	96.8	135.8	117.0	78.3	91.2	208.2
96	31.6	96.4	88.5	105.6	148.1	127.6	85.5	99.5	227.1
104	34.2	104.4	95.9	114.4	160.4	138.2	92.6	107.8	246.0

\*Varies with clutch.

FOR INSTALLATION PURPOSES USE CERTIFIED DIMENSIONS ONLY. ALL DIMENSIONS SHOWN ARE IN INCHES.