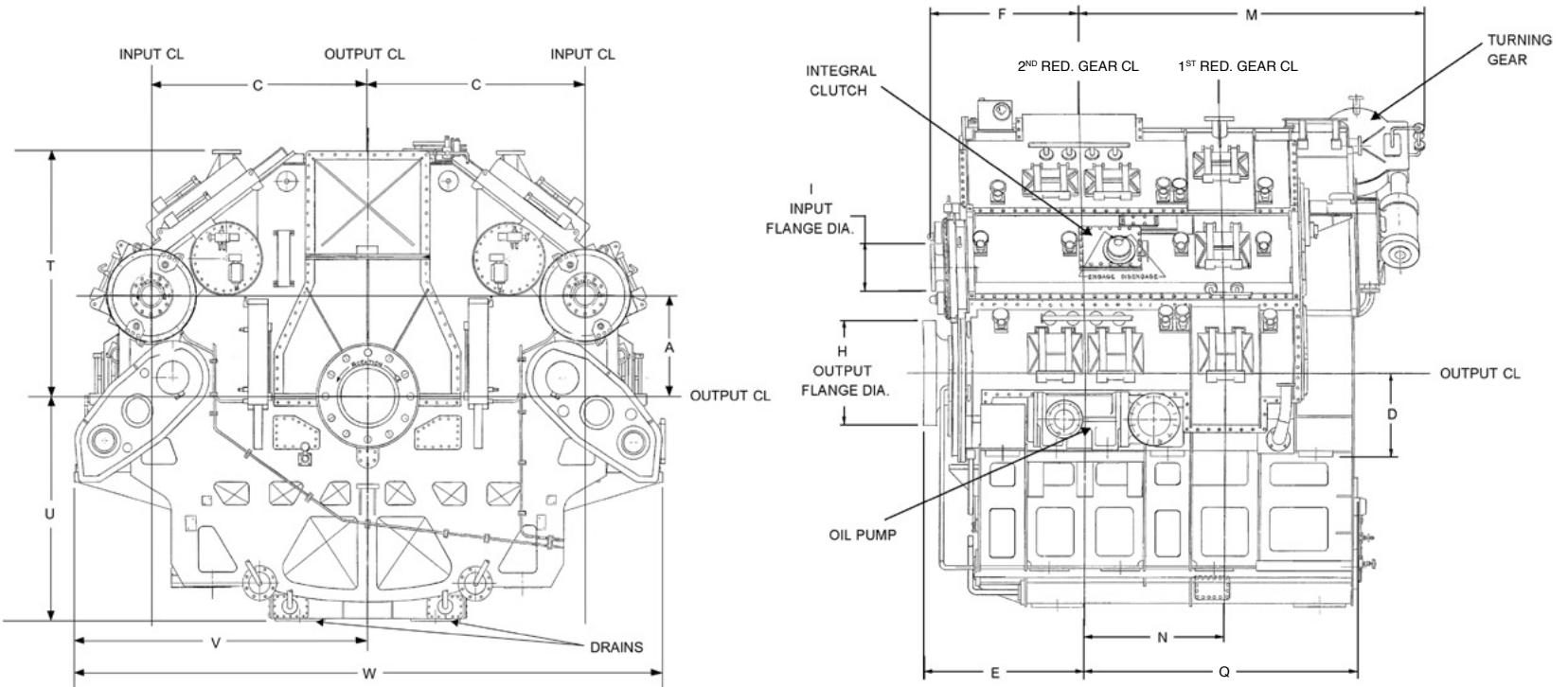


MDT-151A SHOWN

MDT-151A

DUAL-INPUT MARINE GEAR

COMPOUND GEARING



Size	A	C	D	E	F	H	I	M	N	Q	T	U	V	W
60	24.9	54.5	19.6	39.0	70.3	24.9	11.1	84.9	33.7	65.5	59.7	55.6	73.5	147.0
65	27.0	59.1	21.2	42.2	76.1	27.0	12.1	92.0	36.6	70.9	64.7	60.2	79.6	159.2
70	29.1	63.6	22.8	45.5	82.0	29.1	13.0	99.1	39.4	76.4	69.6	64.8	85.7	171.5
77	32.0	70.0	25.1	50.0	90.2	32.0	14.3	109.0	43.3	84.0	76.6	71.3	94.3	188.6
84	34.9	76.4	27.4	54.5	98.4	34.9	15.6	118.9	47.2	91.6	83.6	77.8	102.9	205.7
92	38.2	83.6	30.0	59.7	107.8	38.2	17.1	130.2	51.7	100.4	91.5	85.2	112.7	225.3
102	42.4	92.7	33.2	66.2	119.5	42.4	18.9	144.4	57.4	111.3	101.5	94.4	124.9	249.8

*Varies with clutch.

FOR INSTALLATION PURPOSES USE CERTIFIED DIMENSIONS ONLY. ALL DIMENSIONS SHOWN ARE IN INCHES.